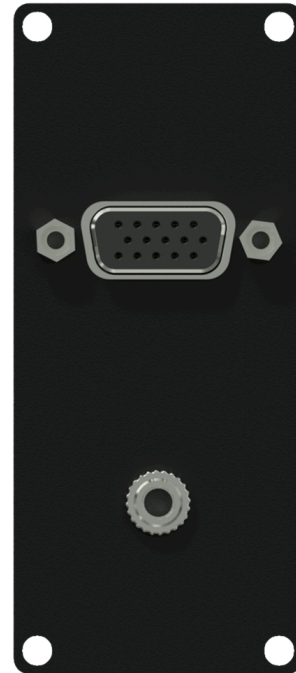


Highlights:


- Flexible system for system integration & connectivity
- Compatible with any CASY chassis
- Solderless connections
- 1.5 mm thick cold rolled steel frame
- Structured and scratch resistant black powder coating
- Assembly screws included

The CASY151 is fitted with female VGA connector on both sides of the module. The front side is also fitted with a female 3.5mm mini jack connector on the front that leads to a pigtail female 3.5 mm mini jack on the back. This flexible structure for system integration & connectivity can easily be implemented in a wide variety of CASY chassis.



Product Features:

Dimensions	35.5 x 82.1 mm (W x H)		
Weight	0.053 kg		
Connection	VGA & 3.5 mm jack gender		
Module	Space	1	

	CASY151			Product description: CASY 1 SPACE VGA & 3.5MM JACK GENDER
Weight: 53 g	Outer dimensions: (w x h x d) 35,5 x 82,1 x 41,7	Unit height: 2 HE		

