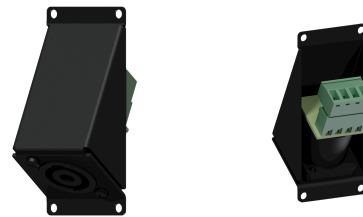


CASY 1 space angled with male SpeakON to 4-pin terminal block

Highlights:


- Flexible system for system integration & connectivity
- Compatible with any CASY chassis
- SpeakON connectors by Neutrik
- Solderless connections
- 1.5 mm thick cold rolled steel frame
- Structured and scratch resistant black powder coating
- Assembly screws included

The CASY143 is a CASY module with an angled male NL4MP SpeakON connector on the front side and a 4-pin terminal block connector on the back side. This flexible structure for system integration & connectivity can easily be implemented in a wide variety of CASY chassis.



Product Features:

Dimensions	35.5 x 82.1 mm (W x H)	
Weight	0.084 kg	
Connection	SpeakON (angled) (NL4MP) to 4-pin terminal block	
Module	Space	1

	CASY143			Weight: 84 g	Product description: CASY 1 SPACE ANGLED WITH SPEAKON TO 4-PIN TB
Outer dimensions: (w x h x d) 35,5 x 82,1 x 52		