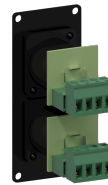


## CASY 1 space with 2x male SpeakON to 4-pin terminal block

### Highlights:

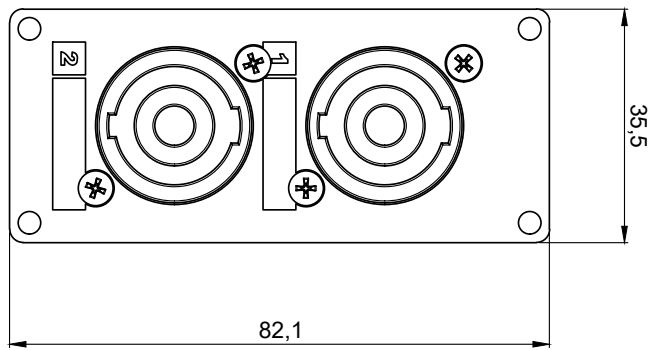
- Flexible system for system integration & connectivity
- Compatible with any CASY chassis
- SpeakON connectors by Neutrik
- Solderless connections
- Solid cold rolled steel construction
- Structured and scratch resistant black powder coating
- Assembly screws included


The CASY142 is a CASY module with two male NL4MP SpeakON connectors on the front side and two 4-pin terminal block connectors on the back side. This flexible structure for system integration & connectivity can easily be implemented in a wide variety of CASY chassis.



### Product Features:

Dimensions	35.5 x 82.1 mm (W x H)		
Weight	0.075 kg		
Connection	2 x SpeakON (NL4MP) to 4-pin terminal block		
Module	Space	1	



	
<b>CASY142</b>	<b>Product description:</b> CASY 1 SPACE WITH 2 X SPEAKON TO 4-PIN TB
<b>Weight:</b> 75 g	<b>Outer dimensions:</b> (w x h x d) 35,5 x 82,1 x 53,4
	<b>Unit height:</b> 2 HE