

Highlights:

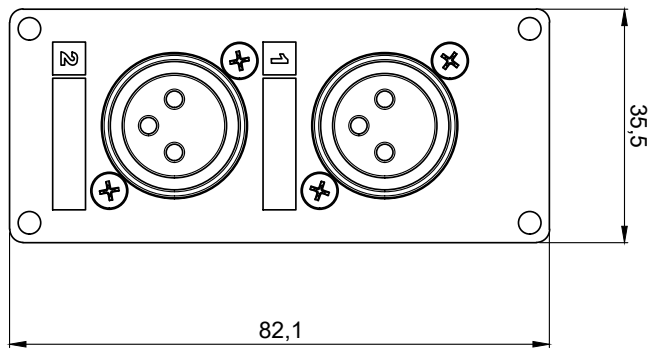
- Flexible system for system integration & connectivity
- Compatible with any CASY chassis
- XLR connectors by Neutrik
- Solderless connections
- 1.5 mm thick cold rolled steel frame
- Structured and scratch resistant black powder coating
- Assembly screws included


The CASY125 is a CASY module with two female XLR connectors on the front side and solderless terminal blocks on the backside. This flexible structure for system integration & connectivity can easily be implemented in a wide variety of CASY chassis.



Product Features:

| | | | |
|------------|---|---|--|
| Dimensions | 35.5 x 82.1 mm (W x H) | | |
| Weight | 0.050 kg | | |
| Connection | 2 x XLR Female (NAC3FAAV) to 3-pin terminal block | | |
| Module | Space | 1 | |



| | |
|---|--|
|  | |
| CASY125 | Product description: CASY 1 SPACE WITH 2 X XLR FEMALE TO 3-PIN TB |
| Weight: 50 g | Outer dimensions: (w x h x d) 35,5 x 82,1 x 47,7 |
| | Unit height: 2 HE |