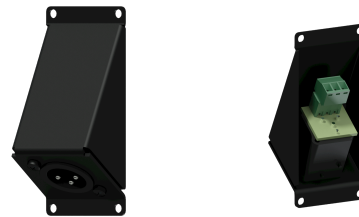



## CASY 1 space angled with XLR male to 3-pin terminal block

The CASY124 is a CASY module with a male XLR connector placed in an angle on the front side and a solderless terminal block on the backside. This flexible structure for system integration & connectivity can easily be implemented in a wide variety of CASY chassis.



### Product Features:

Dimensions		35.5 x 82.1 mm (W x H)
Weight		0.076 kg
Module	Space	1
Connection		XLR male (NAC3MAAV) to 3-pin terminal block

	<b>CASY124</b> Weight: 76 g	<b>Product description:</b> CASY 1 SPACE ANGLED WITH XLR MALE TO 3-PIN TB <b>Outer dimensions:</b> (w x h x d) 35,5 x 82,1 x 38,4	<b>Unit height:</b> 2 HE
---	-----------------------------------	--	-----------------------------

