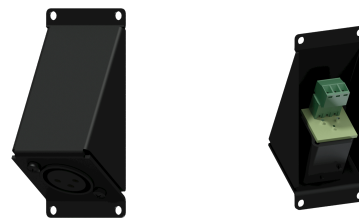


## CASY 1 space angled with XLR female to 3-pin terminal block

### Highlights:


- Flexible system for system integration & connectivity
- Compatible with any CASY chassis
- XLR connectors by Neutrik
- Solderless connections
- 1.5 mm thick cold rolled steel frame
- Structured and scratch resistant black powder coating
- Assembly screws included

The CASY123 is a CASY module with a female XLR connector placed in an angle on the front side and a solderless terminal block on the backside. This flexible structure for system integration & connectivity can easily be implemented in a wide variety of CASY chassis.



### Product Features:

Dimensions	35.5 x 82.1 mm (W x H)		
Weight	0.070 kg		
Connection	XLR Female (angled) (NAC3FAAV) to 3-pin terminal block		
Module	Space	1	

	<p><b>CASY123</b></p> <p><b>Weight:</b> 70 g</p>	<p><b>Product description:</b> CASY 1 SPACE ANGLED WITH XLR FEMALE TO 3-PIN TB</p> <p><b>Outer dimensions:</b> (w x h x d) 35,5 x 82,1 x 38,4</p>	<p><b>Unit height:</b> 2 HE</p>
	