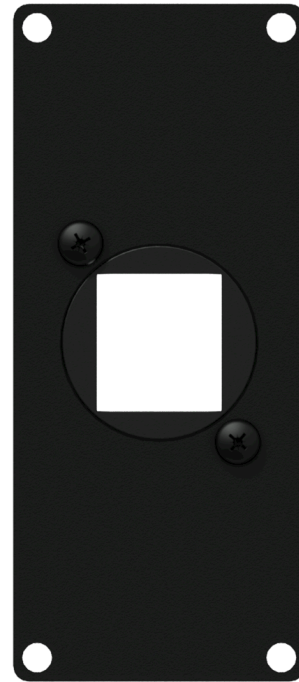


Highlights:


- Flexible system for system integration & connectivity
- Compatible with any CASY chassis
- 1.5 mm thick cold rolled steel frame
- Structured and scratch resistant black powder coating
- Assembly screws included

The CASY106 module features one cut-out to fit any of the PROCAB Keystone™ adapters. This flexible structure for system integration & connectivity can easily be implemented in a wide variety of CASY chassis.



Product Features:

Dimensions	35.5 x 82.1 mm (W x H)	
Cut-out measurement	1 x Keystone adapter (PROCAB VDK10)	
Module	Space	1
Weight	0.04 kg	

	<h1>CASY106</h1>			Weight: TBA	Product description: CASY 1 SPACE COVER PLATE - 1 X KEYSTONE ADAPTER
Outer dimensions: (w x h x d) 35,5 x 82,1 x 12,9		Unit height: 2 HE		